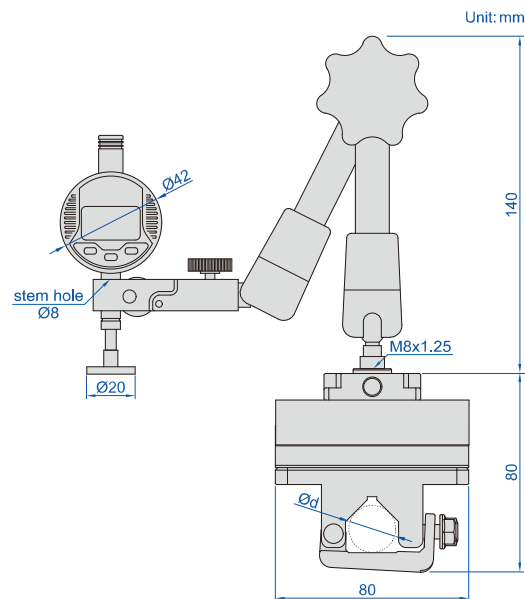


PERPENDICULARITY COMPARISON GAUGE

CUSTOMIZED ACCORDING
TO WORKPIECES



2253-20



- Measurement perpendicularity between two cylinders
- Optional accessory: measurement software (code 7377)
wireless data transmission (transmitter code 7213-56, need receiver)

Code	Digital indicator stroke	Digital indicator resolution	Perpendicularity	Left/right slide stroke	Cylindrical workpiece diameter $\varnothing d$
2253-20	5mm/0.2"	0.01mm/0.0005"	0.01mm	45mm	20mm

application

